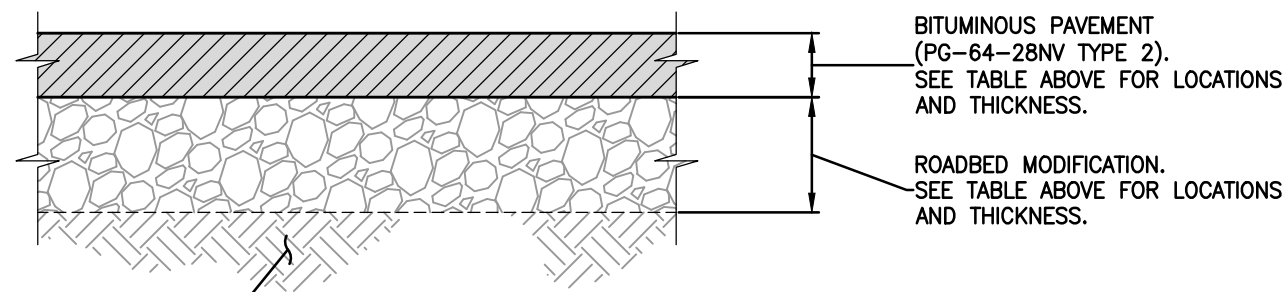


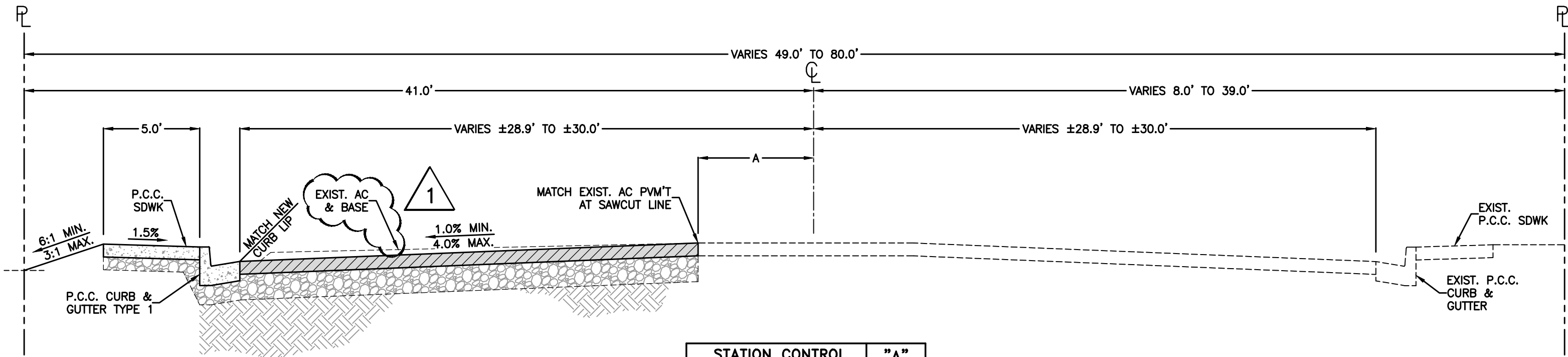
**PAVING NOTES:**

1. PULVERIZE EXISTING PAVEMENT SECTION TO A DEPTH OF 9" MIN. ALONG CALIFORNIA STREET AND 10" MIN. ALONG COLORADO STREET. RE-GRADE PULVERIZED MATERIAL TO DEPTH SHOWN ON TYPICAL PAVEMENT SECTION AND REMOVE EXCESS MATERIAL AS NEEDED. ADD 4% CEMENT TREATMENT AND COMPACT TO 95% RELATIVE DENSITY.
2. EXCESS PULVERIZED MATERIAL SHALL BE DELIVERED TO THE CARSON CITY LANDFILL.
3. ADDITIONAL AGGREGATE BASE MATERIAL SHALL BE TYPE 2, CLASS B, AND CONFORM TO SECTION 200.01 OF THE STANDARD SPECIFICATIONS FOR PUBLIC WORKS CONSTRUCTION, AND SHALL BE MECHANICALLY COMPACTED TO 95% RELATIVE DENSITY, IN CONFORMANCE WITH SECTION 308.05 OF THE STANDARD SPECIFICATIONS FOR PUBLIC WORKS CONSTRUCTION.
4. BITUMINOUS PAVEMENT SURFACES SHALL BE COMPACTED TO 92-97% RICE THEORETICAL OR 95% MARSHALL METHOD.

LOCATION	PVM'T THICKNESS	ROADBED MODIFICATION THICKNESS	MIN. CEMENT CONTENT BY DRY WEIGHT
CALIFORNIA STREET	3"	6"	4%
COLORADO STREET	4"	6"	4%

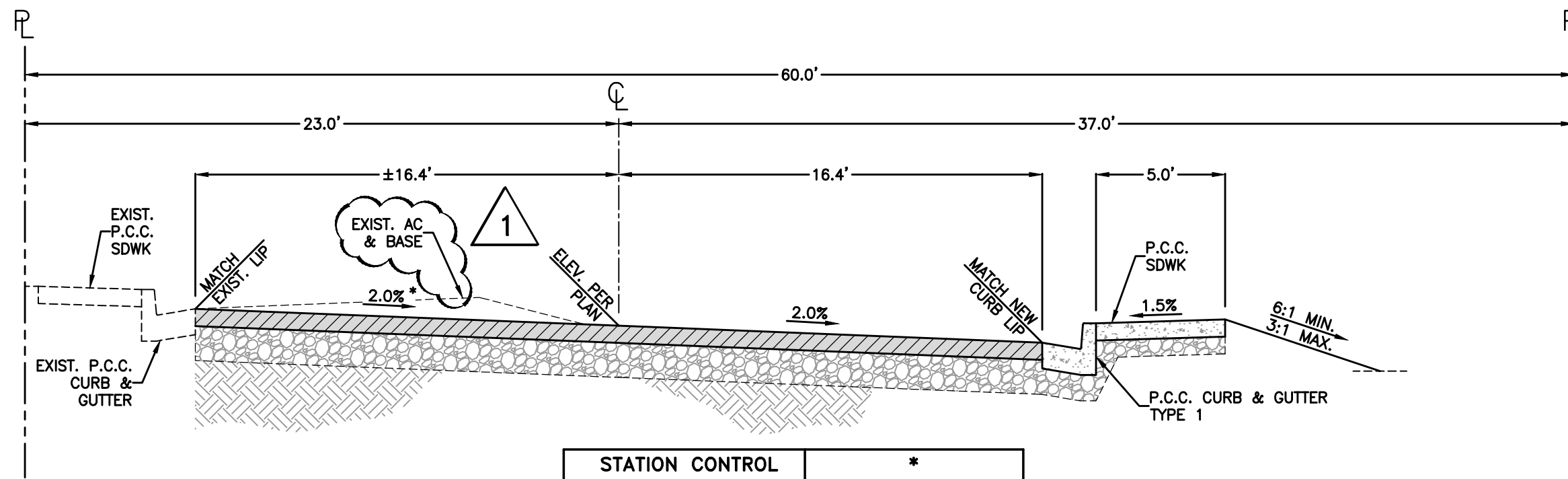


**TYPICAL PAVEMENT SECTION (A)**  
NOT TO SCALE



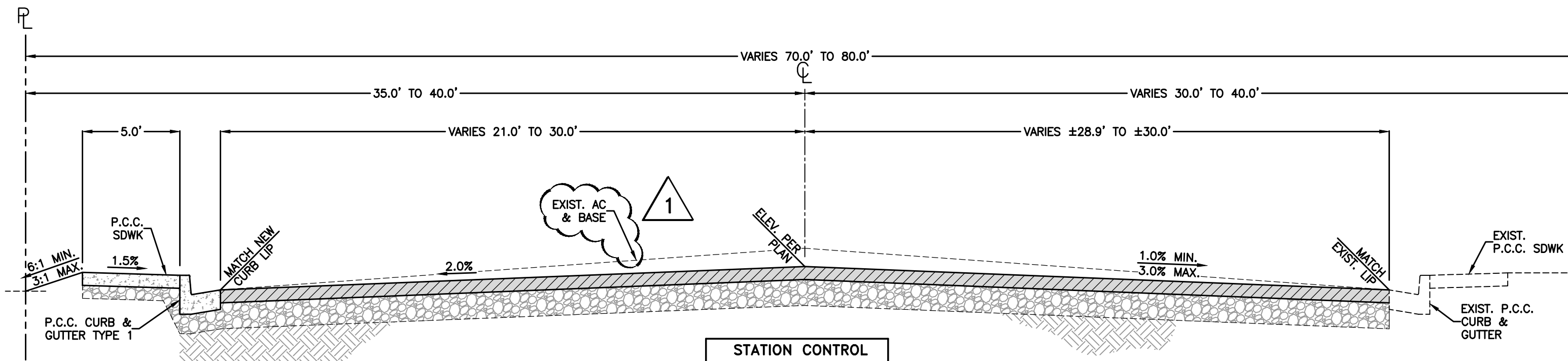
STATION CONTROL	"A"
14+45 TO 20+90	6.0'
26+50 TO 28+20	15.5'

**TYPICAL ROADWAY SECTION (D)**  
**COLORADO STREET**  
NOT TO SCALE



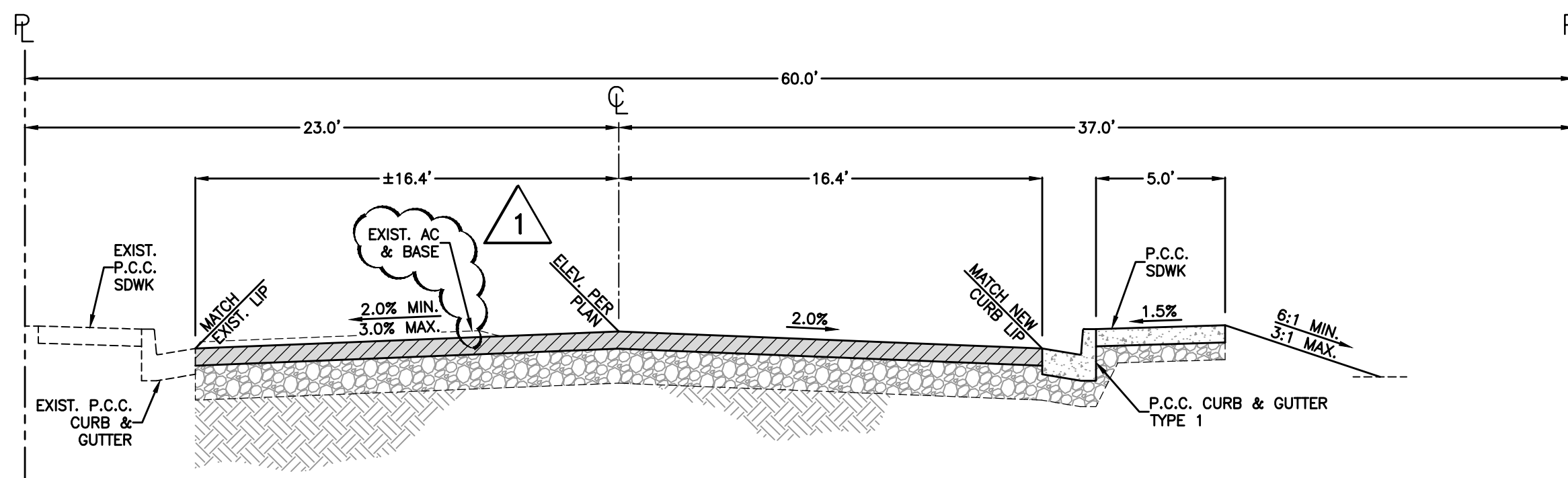
STATION CONTROL	*
10+54 TO 11+00	2% SUPERELEVATION
11+00 TO 12+25	SUPERELEVATION TRANSITION

**TYPICAL ROADWAY SECTION (B)**  
**CALIFORNIA STREET**  
NOT TO SCALE



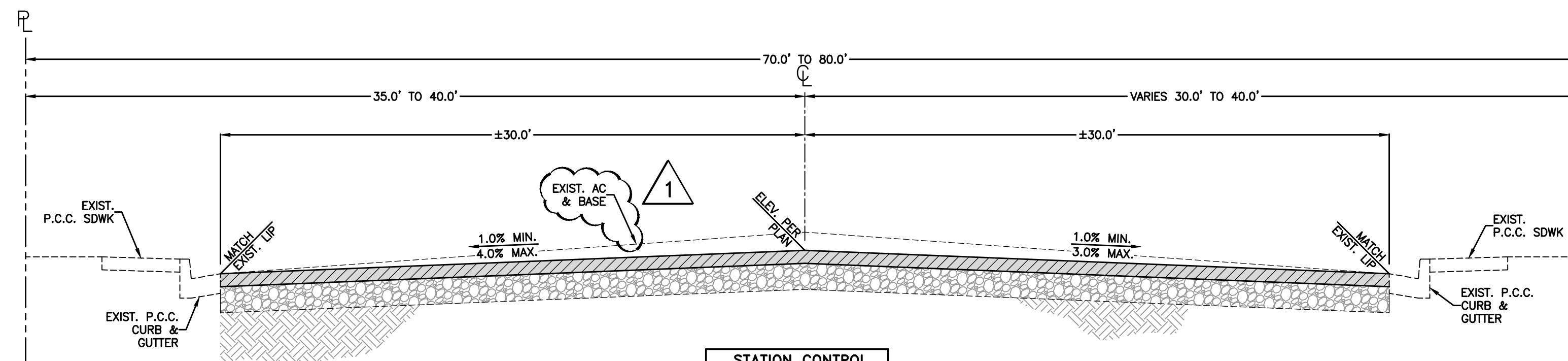
STATION CONTROL
28+20 TO 30+83
39+26 TO 39+91

**TYPICAL ROADWAY SECTION (E)**  
**COLORADO STREET**  
NOT TO SCALE



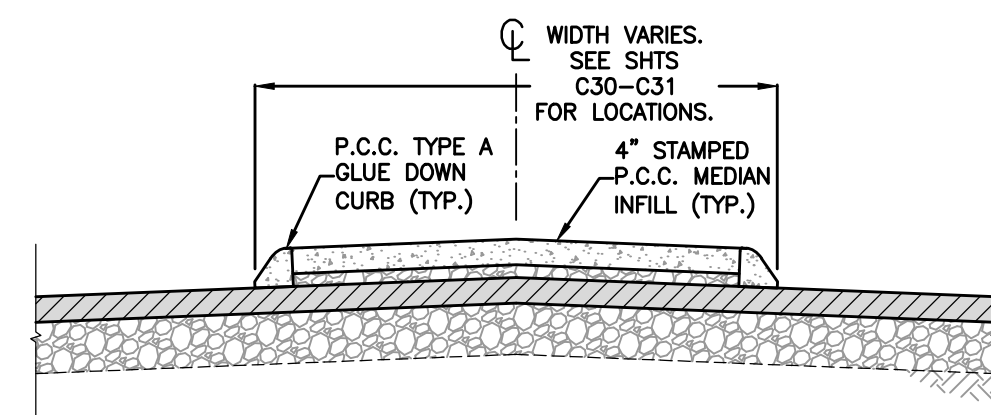
STATION CONTROL
12+25 TO 12+85

**TYPICAL ROADWAY SECTION (C)**  
**CALIFORNIA STREET**  
NOT TO SCALE



STATION CONTROL
30+83 TO 39+26
39+91 TO 53+82

**TYPICAL ROADWAY SECTION (F)**  
**COLORADO STREET**  
NOT TO SCALE

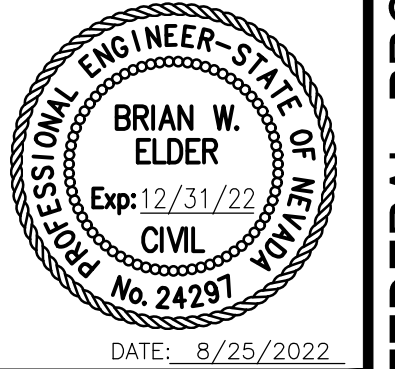


**TYPICAL MEDIAN SECTION (G)**  
NOT TO SCALE

NOTE:  
4" STAMPED P.C.C. MEDIAN INFILL SHALL BE DARK GRAY CONCRETE W/ BRICK PATTERN. CARSON CITY TO PROVIDE STAMP TO CONTRACTOR.

DESIGNED BY: DGR/KJK  
DRAWN BY: DGR/KJK  
CHECKED BY: BWE/CCM  
DWG. NO.: 0303521001-10/20/22  
SCALE (HORIZ): N/A  
SCALE (VERT): N/A  
PLOT DATE: 10/20/22

**CARSON CITY DEPARTMENT PUBLIC WORKS DEPARTMENT**  
3505 BUTTI WAY CARSON CITY, NEVADA 89701  
PH: 887-2355 FAX: 887-2112



REV.	DATE	DESCRIPTION	BY	APP'D
1	10/20/22	REVISED NOTE 1 & TYP SECTION	KJK	BWE

**COLORADO STREET CDBG & PAVEMENT REHABILITATION PROJECT PROJECT No. P303521001**  
**ROADWAY TYPICAL SECTIONS**

SHEET **C1** OF **69**

FEDERAL PROJECT No.: STBG-0025 (037)

NDOT PROJECT No.: 61026

FOR BIDDING PURPOSES ONLY